

CFC Foam & Rubber Cutting System



CFC-M (motor only)
(with power cable and on/off switch)

← **Blades**
← **Standard (column)**
CFC-B Base

NOT included with motor. (Available Separately)

COMPONENTS AVAILABLE SEPARATELY:

BASE:

CFC-B - Base only - for all size machines

DUAL MOVABLE BLADES:

(Sold in sets only - 2 blades)

CFC-BL3 - 3" (70mm), CFC-BL5 - 5" (130mm),
CFC-BL8 - 8" (200mm), CFC-BL12 - 12" (300mm)

STANDARD (COLUMN):

CFC-C3 - 3" (70mm), CFC-C5 - 5" (130mm),
CFC-C8 - 8" (200mm), CFC-C12 - 12" (300mm)

The CFC is a foam and rubber cutting system in which all the components are available separately and complete.

- 1: The CFC-M Motor unit is the electro-mechanical body of the system
- 2: The CFC-B Base has rollers for smooth cutting. The column and blades are attached between the motor and the base.
- 3: Select whichever length (or lengths) of Column (standard) and Twin Blades desired.

With this system, you can not only have the cutter size you need for one size of cutting, but you can also have more sets of Columns/Blades and switch your CFC cutter size in a matter of minutes. It is much safer and easier to use the cutter length appropriate to the material thickness you are cutting. The CFC System allows you to have up to four sizes using the same CFC-M Motor and CFC-B Base.

motor: **CFC-M**

base: **CFC-B**

blades:

CFC-BL-3, CFC-BL-5
CFC-BL-8, CFC-BL-12

columns:

CFC-C-3, CFC-C-5
CFC-C-8, CFC-C-12

COMPLETE SET CFC-(SIZE)

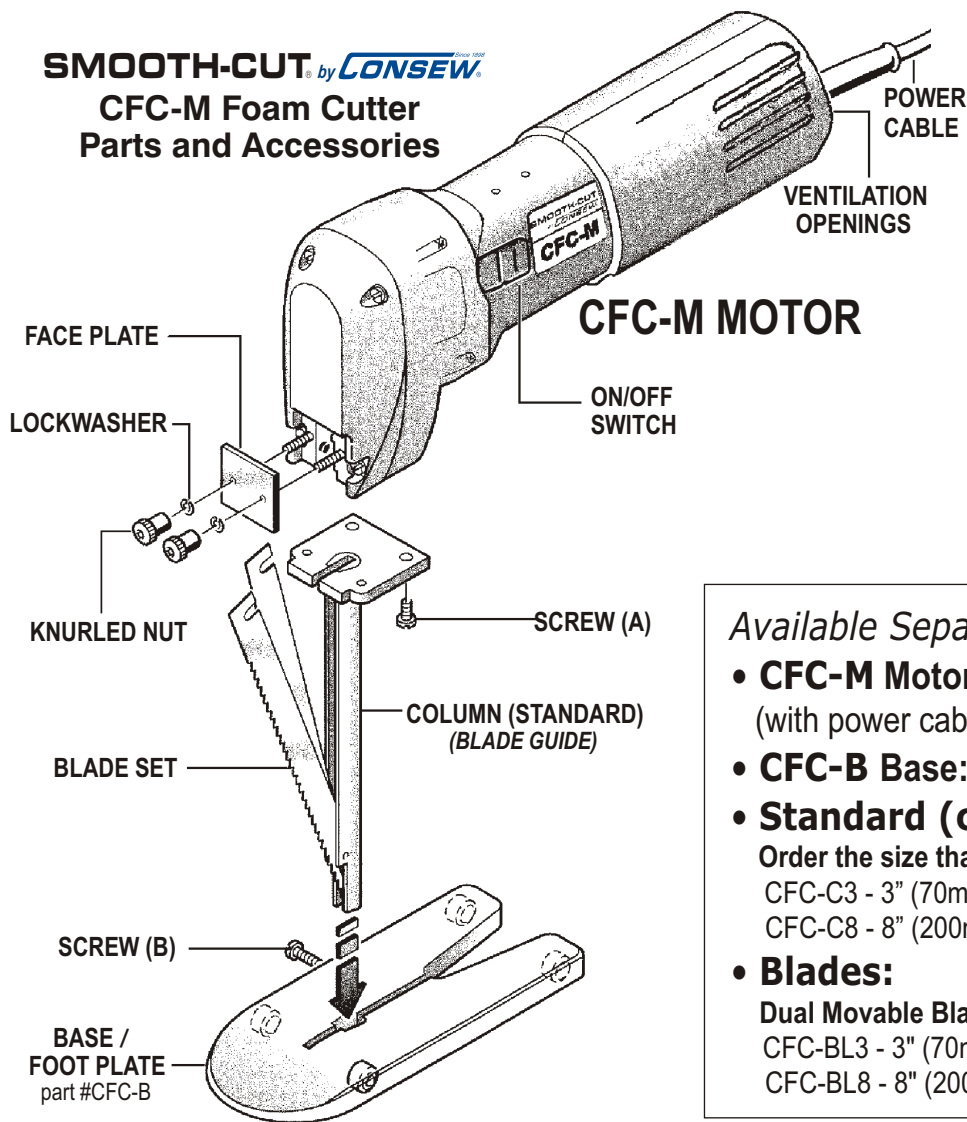
{consists of motor, base, column (guide), blade set}

CFC-3" / CFC-5" / CFC-8"
CFC-12"

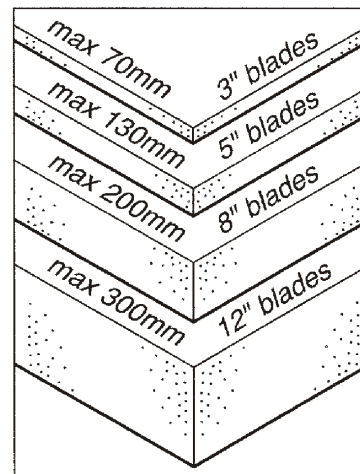
CFC Foam & Rubber Cutting System
 For use with SMOOTHCUT® or Bosch® foam cutters

SMOOTH-CUT by **CONSEW**

CFC-M Foam Cutter
Parts and Accessories



CUTTING DEPTH CAPACITIES



Available Separately:

- **CFC-M Motor:**
 (with power cable and on/off switch)
- **CFC-B Base:** For use with Consew® CFC-M
- **Standard (column):**
 Order the size that fits the blades you wish to use.
 CFC-C3 - 3" (70mm) / CFC-C5 - 5" (130mm) /
 CFC-C8 - 8" (200mm) / CFC-C12 - 12" (300mm)
- **Blades:**
Dual Movable Blades. Sold in sets of 2 blades only:
 CFC-BL3 - 3" (70mm) / CFC-BL5 - 5" (130mm) /
 CFC-BL8 - 8" (200mm) / CFC-BL12 - 12" (300mm)

Disponível Separadamente:

Motor Somente: CFC-M

Base CFC-B: Para uso com modelo Consew CFC-M

Normal (coluna):

Solicite o tamanho que vai com as facas que você deseja usar

CFC-C3 - 3" (70mm) / CFC-C5 - 5" (130mm) /
 CFC-C8 - 8" (200mm) / CFC-C12 - 12" (300mm)

Facas:

Facas dual e movel. Vendidas somente em sets de 2 facas

CFC-BL3 - 3" (70mm) / CFC-BL5 - 5" (130mm) /
 CFC-BL8 - 8" (200mm) / CFC-BL12 - 12" (300mm)

Disponible Por separado:

Motor Solamente: CFC-M

Base: CFC-B Para usar con el modelo Consew CFC-M

Estándard (columna):

Ordene la medida que van con las cuchillas que desearía usar: CFC-C3 - 3" (70mm) /

CFC-C5 - 5" (130mm) / CFC-C8 - 8" (200mm) /
 CFC-C12 - 12" (300mm)

Cuchillas:

Cuchilla Duales y Movibles. Solamente vendidas

en sets de 2 cuchillas CFC-BL3 - 3" (70mm) /
 CFC-BL5 - 5" (130mm) / CFC-BL8 - 8" (200mm) /
 CFC-BL12 - 12" (300mm)

Specifications subject to change without notice.

©2017 Consew USA -0117



CONSOLIDATED SEWING MACHINE CORP.
 INDUSTRIAL SEWING & CUTTING EQUIPMENT

• NEW JERSEY • MIAMI • LOS ANGELES •

Main Office

400 Veterans Blvd.
 Carlstadt, NJ 07072
 Tel: 212-741-7788
 Fax: 212-741-7787

Miami Branch Office

4077 N.W. 79th Avenue
 Miami, FL 33166
 Tel: 305-471-0200
 Fax: 305-471-0243

West Coast Branch Office

2320 South Hill Street
 Los Angeles, CA 90007
 Tel: 213-745-8844
 Fax: 213-745-8855

e-mail: consew@att.net

web: www.consew.com