

*Since 1898*  
**CONSEW**<sup>®</sup>

CONSOLIDATED SEWING MACHINE CORP.

— INDUSTRIAL SEWING & CUTTING EQUIPMENT

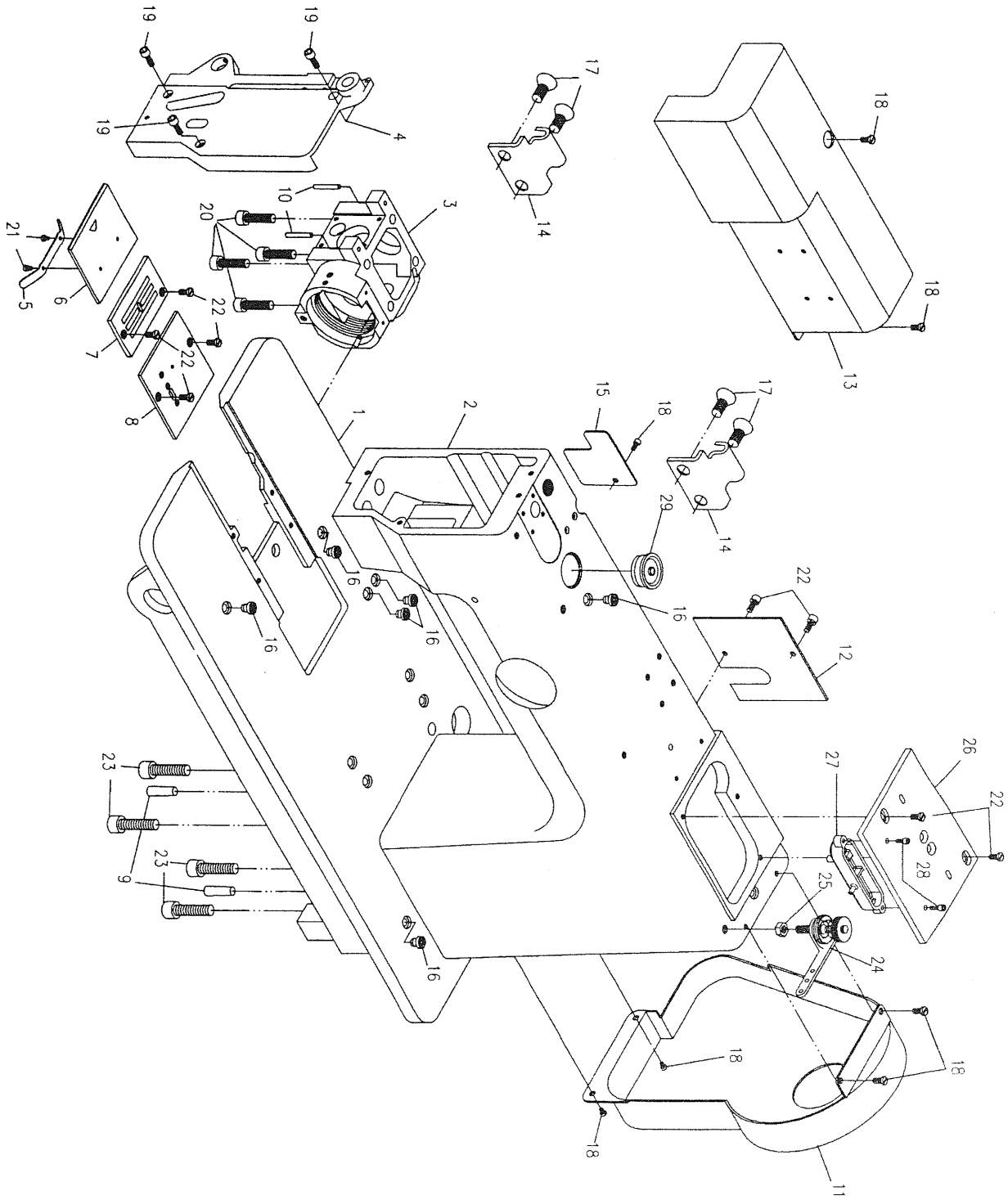
Model

**2040-DSM-E**

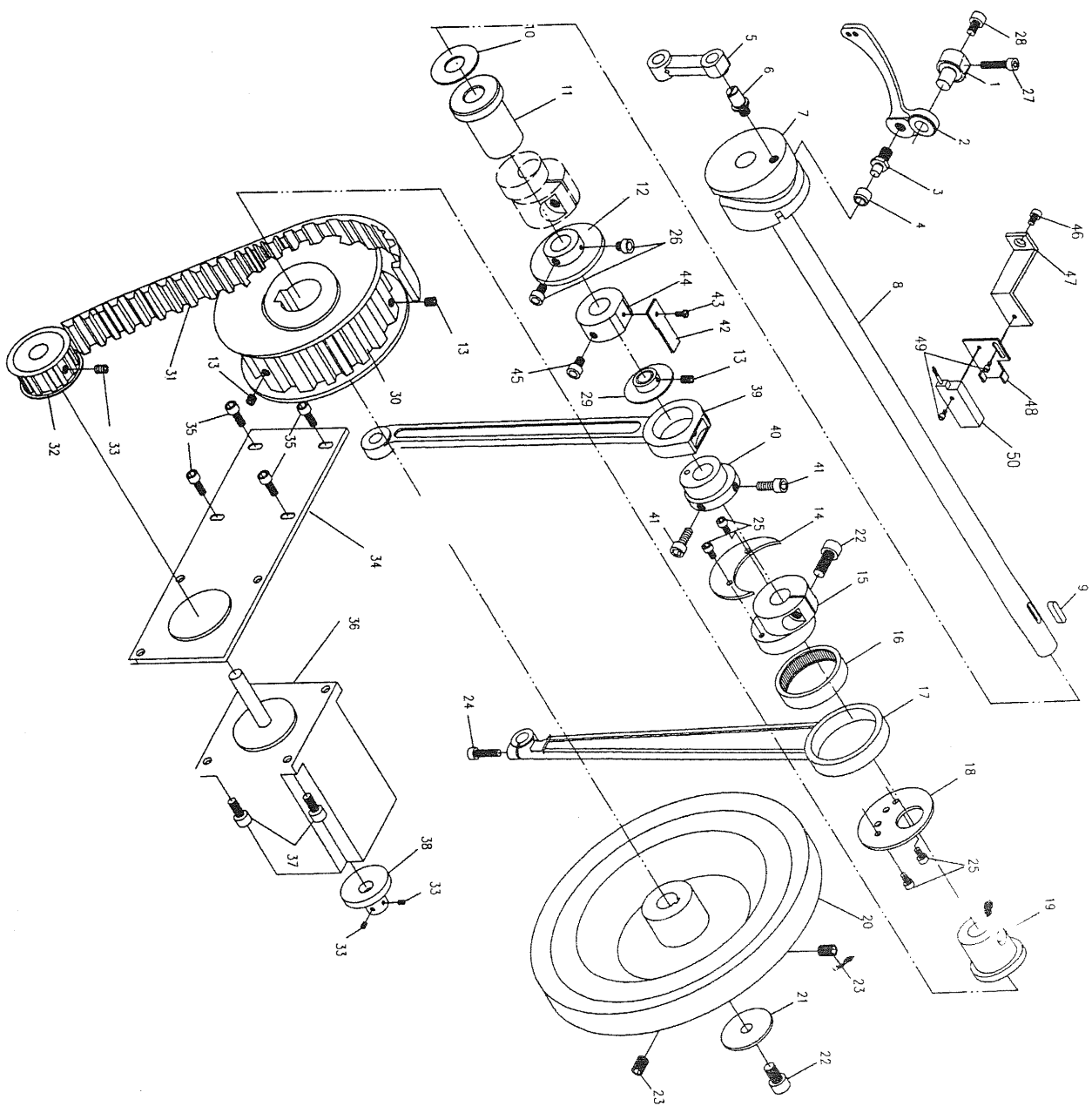
Parts Book

**400 VETERANS BLVD, CARLSTADT, NJ 07072**

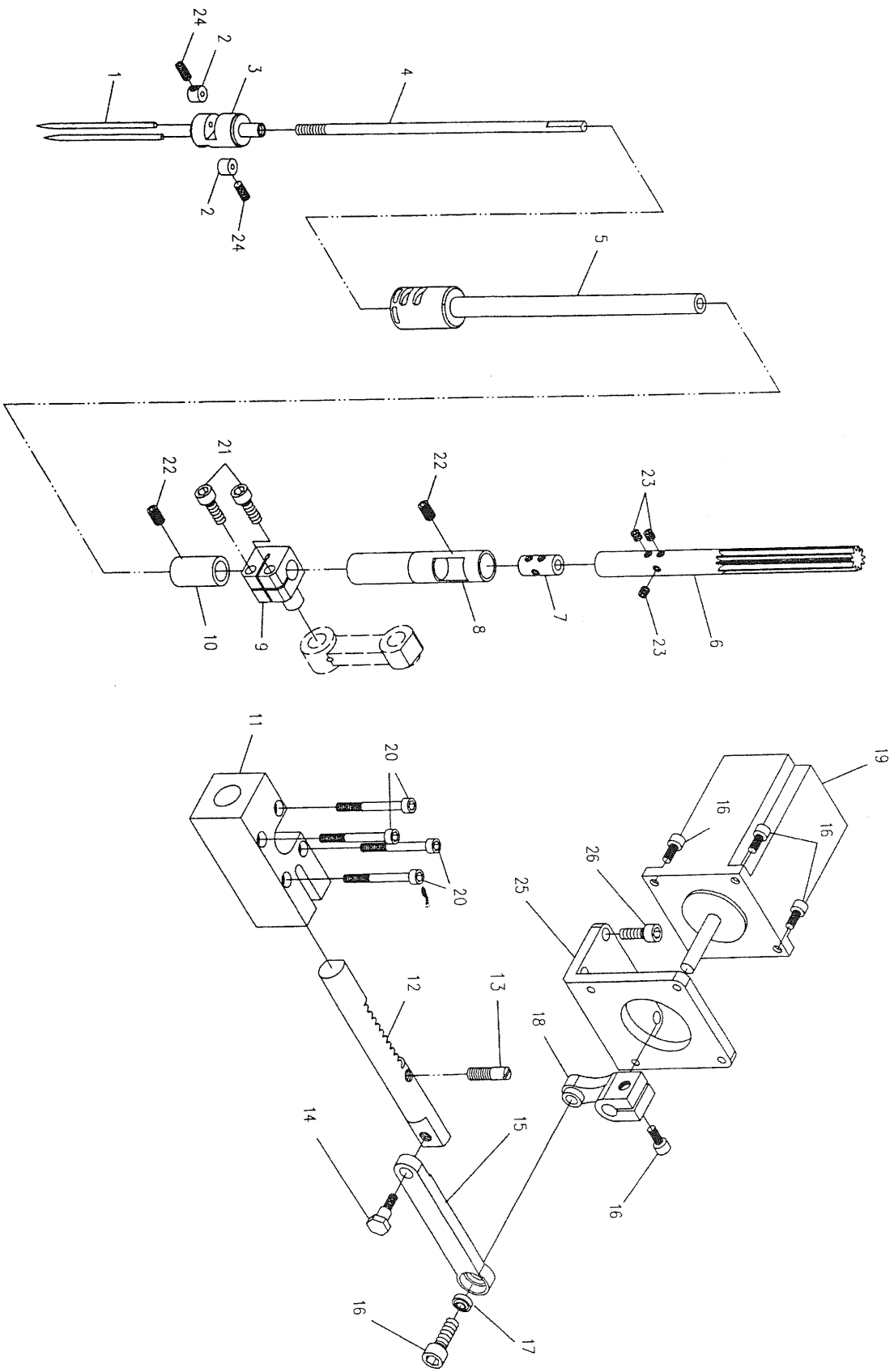
**[www.consew.com](http://www.consew.com)**



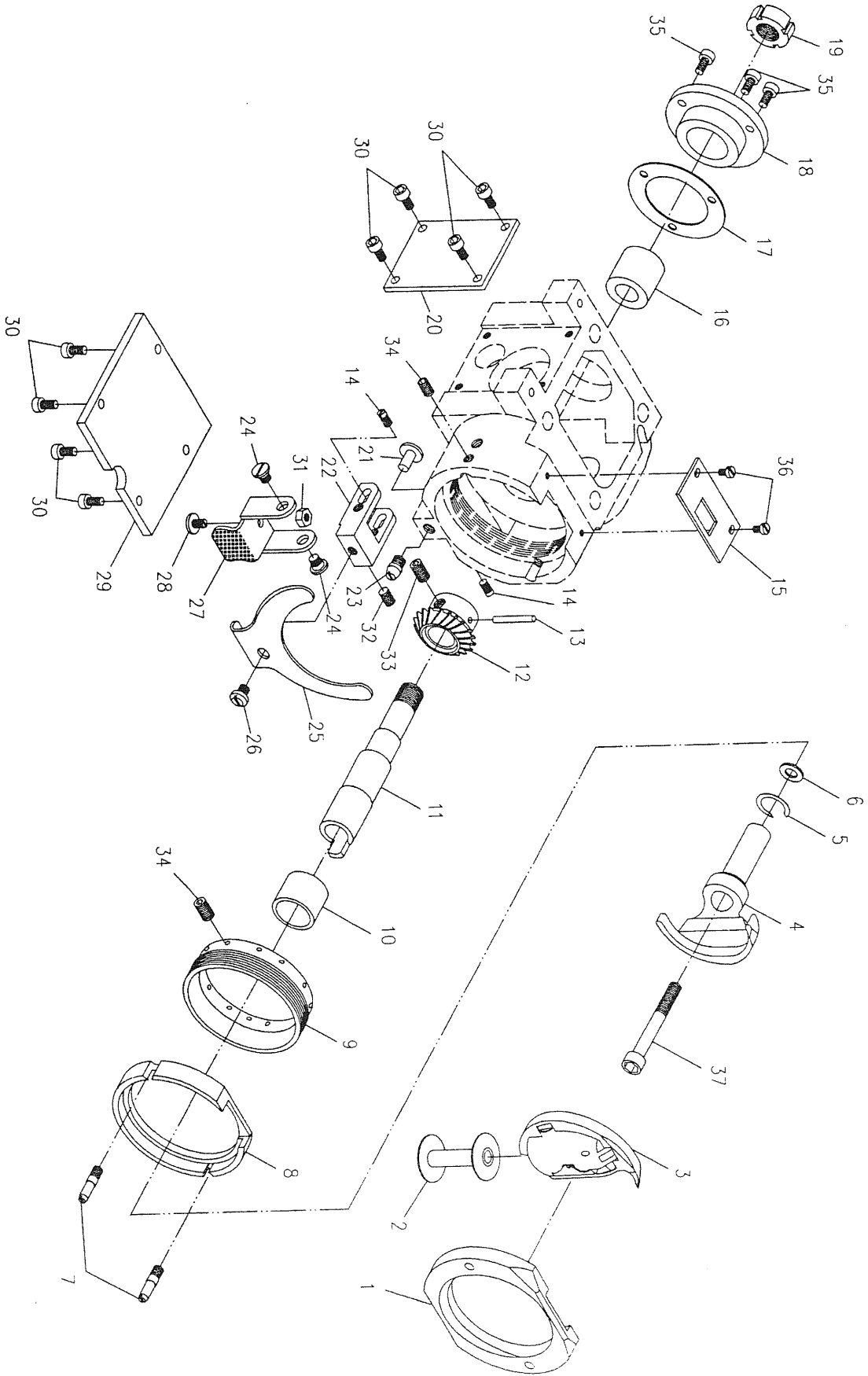
序号	零件件号	零件名称	Decription	件数	备 注
1	105A0101	底板	Bottom plate	1	
2	105A0102	机壳	Head case	1	
3	F0103	梭床座(箱体)	Base of shuttle bed	1	
4	105A0104	前盖	Face plate	1	
5	GW100	推板簧	Push pedal spring	1	
6	GK205	推板	Sliding plate (left)	1	
7	H0107	针板	Needle plate	1	
8	GK206	连接板	Connection board	1	
9	GS105	机壳销	Pin	2	
10	M0131	箱体定位销	Pin	2	
11	105A0111	皮带罩	Belt hood	1	
12	105A0112	后盖板	Back cover	1	
13	105A0113	转针电机罩	Hood	1	
14	GXR222	合页2	Hinge 2	2	
15	105A0115	侧盖板	Cover	1	
16	GK209A	小油堵	Small oil seal	7	
17	GS17520	合页2螺钉	Screw	4	
18	105A0118	皮带罩螺钉	Screw	9	一字圆柱头螺钉M4-10
19	GS13316	前盖螺钉	Screw	3	
20	GS13530	小箱体螺钉	Screw	4	
21	GS12104	推板簧螺钉	Screw	2	
22	GS172	针板螺钉	Screw	9	一字球面圆柱头螺钉M5-11
23	GS13635	机壳螺钉	Screw	4	
24	1070131	绕线器夹线组件	Tension thread stand	1	
25	GL203	螺母	Nut	1	
26	105A0126	上盖板	Upper cover plate	2	
27	GK203	油盒	Oil box	1	
28	105A0128	油盒固定螺钉	Screw	2	
29	GK208	大油堵	Large oil seal	1	
30					
31					
32					
33					
34					
35					
36					
37					
38					
39					
40					
41					
42					
43					
44					



序号	零件件号	零件名称	Decription	件数	备 注
1	M0213	挑线杆轴	Raising thread axle	1	
2	M0212	挑线杆	Thread take-up leve	1	
3	GZ105	挑线滚轮轴	Roller shaft screw	1	
4	GU100	挑线滚轮	Roller shaft	1	
5	M0217	挑线连杆	Small connecting rod	1	
6	GX100	挑线凸轮连杆销钉	Screw	1	
7	M0202	挑线凸轮	Raising thread cam	1	
8	105A0208	上轴	Upper shaft	1	
9	GK216	上轴键	Upper shaft key	1	
10	GS215	前轴套垫片	Washer	1	
11	G0109	上轴前轴套	Upper shaft bushing front	1	
12	GP112	主动摩擦轮	Driving frictiog rod	1	
13	105A0229	上轴齿形带轮紧定螺钉	Screw	3	内六角凹端紧定螺钉M6-10
14	GK237	偏心档片B	Side plate(B)	1	
15	G0129	偏心套	Eccentric sleeve	1	
16	HK4512	轴承	Needle roller bearing	1	
17	M0229	大连杆体	Coconnecting rod	1	
18	GK263	偏心档片A	Side plate(A)	1	
19	G0107	上轴后轴套	Upper shaft bushing rear	1	
20	105A0220	上轮	On turns	1	
21	GK207	皮带轮垫片	Washer	1	
22	GS13540	皮带轮安全螺钉	Screw	1	
23	GS11516	皮带轮紧固螺钉	Screw	2	
24	GS13316	大连杆体紧固螺钉	Screw	1	
25	GS13208	偏心套档片螺钉	Screw	2	
26	GS13410	主动摩擦轮螺钉	Screw	1	
27	GS13440	挑线杆轴紧固螺钉	Screw	1	
28	GS13412	挑线杆轴螺钉	Screw	1	
29	105A0229	拾牙偏心套挡圈	Blocking ring	1	
30	105A0230	上轴齿形带轮	Pricipal axis wheel	1	
31	105A0231	齿形带	In-phase belt	1	
32	105A0232	主轴电机带轮	Electromotor wheel	1	
33	105A0233	带轮紧固螺钉	Screw	2	
34	105A0234	主轴电机安装板	Electromotor support	1	
35	105A0235	安装板螺钉	Screw	4	内六角圆柱头螺钉M6-16
36	105A0236	主轴电动机	Eleectromotor	1	
37	105A0237	电机安装螺钉	Screw	4	内六角圆柱头螺钉M5-16
38	105A0238	主电机手轮	Electromotor wheel	1	
39	M0221	拾牙连杆	Feed dog lift connecting rod	1	
40	M0222	拾牙偏心套	Feed dog lift eccentric	1	
41	GS13420	偏心套螺钉	Screw	2	
42	1070222	上轴感应铁	Iron inductor	1	
43	GS12206	感应铁螺钉	Screw	1	
44	1070220	上轴感应铁固定环	Fixer loop	1	
45	GS13412	固定环螺钉	Screw	2	
46	GS13310	支座螺钉	Screw	1	
47	1070240	上感应器支座	Sensor support	1	
48	1070242	上感应器固定架	Sensor rivet support	1	
49	GS13108	传感器螺钉	Screw	1	内六方圆柱头螺钉M3-4
50	1070243	传感器	Sensor	1	

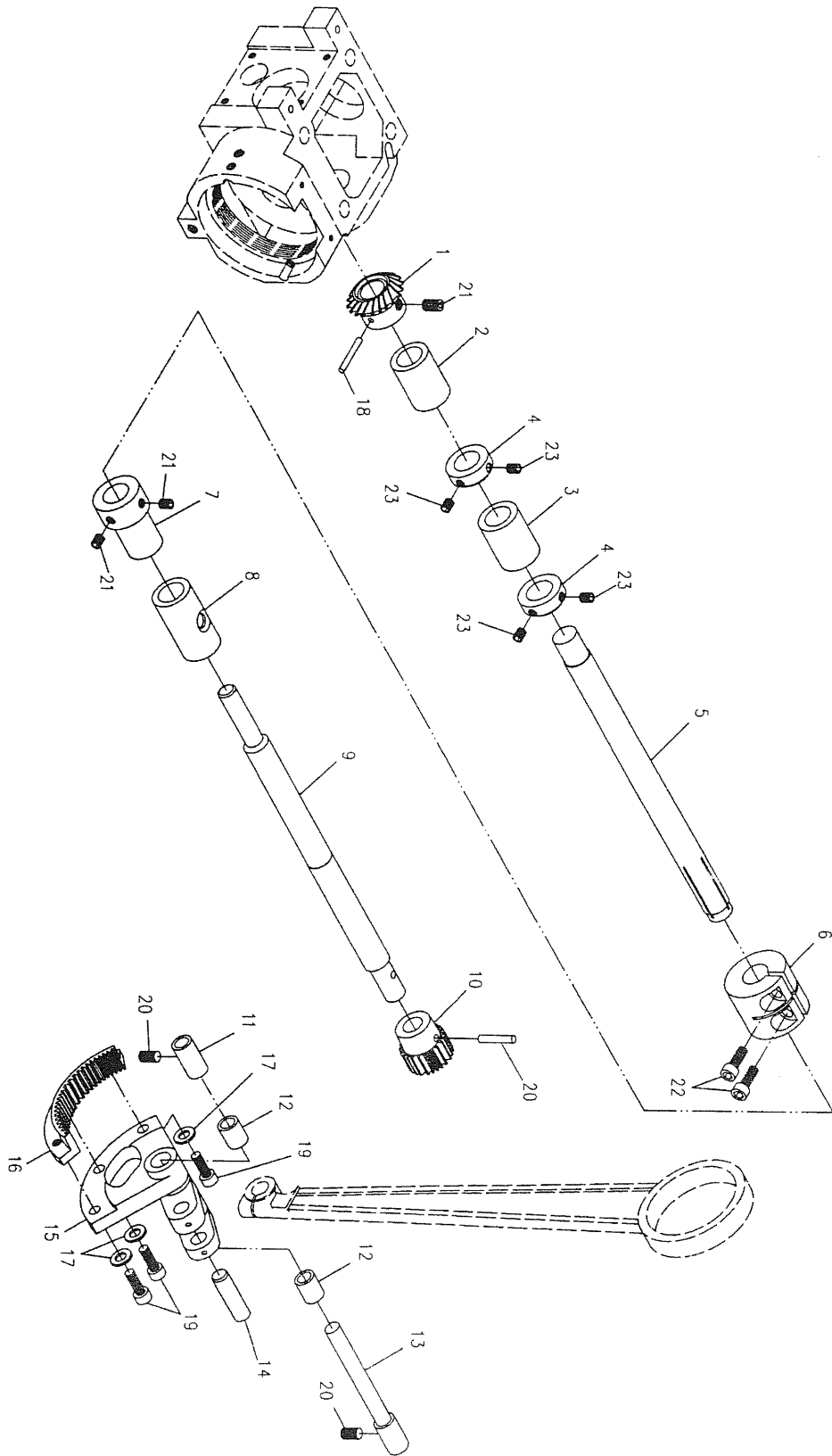


序号	零件件号	零件名称	Decription	件数	备 注
1	DYX3	机针	Needle	2	
2	H0302	针夹芯	Needle clamp core	2	
3	H0303	针夹	Needle clip	1	
4	H0304	针杆内芯	Inner bar	1	
5	H0305	针杆	Needle bar	1	
6	H0306	齿轮针杆	Gear needle bar	1	
7	H0307	齿轮针杆内套	Bushing	1	
8	105A0308	针杆上衬套	Bushing	1	
9	GH118	针杆连接轴	Needle bar connecting shaft	1	
10	M0304	针杆下衬套	Bushing	1	
11	H0311	齿条固定块	Fixed block	1	
12	H0312	齿条	Teeth rack	1	
13	H0313	齿条定位螺钉	Screw	1	
14	810-1613	松线杠杆轴位螺钉	Screw	1	
15	105A0315	转针连杆	Connecting rod	1	
16	105A0316	连杆固定螺钉	Screw	6	内六方圆柱头螺钉M6-16
17	M0623	连接板球轴承	Bearing	1	
18	105A0318	转针曲柄	Needle crank	1	
19	105A0319	摆针电机	Screw	1	
20	GS13240	齿条固定块螺钉	Screw	4	
21	GS13316	针杆连接轴螺钉	Screw	2	
22	GS11306	针杆上衬套螺钉	Screw	2	
23	GS11204	针杆内芯螺钉	Screw	3	
24	GS11210	顶针螺钉	Screw	2	
25	105A0325	摆针电机安装座	Electromotor support	1	
26	105A0326	安装座固定螺钉	Screw	2	内六方圆柱头螺钉M5-16
27					
28					
29					
30					
31					
32					
33					
34					
35					
36					
37					
38					
39					
40					
41					
42					
43					
44					

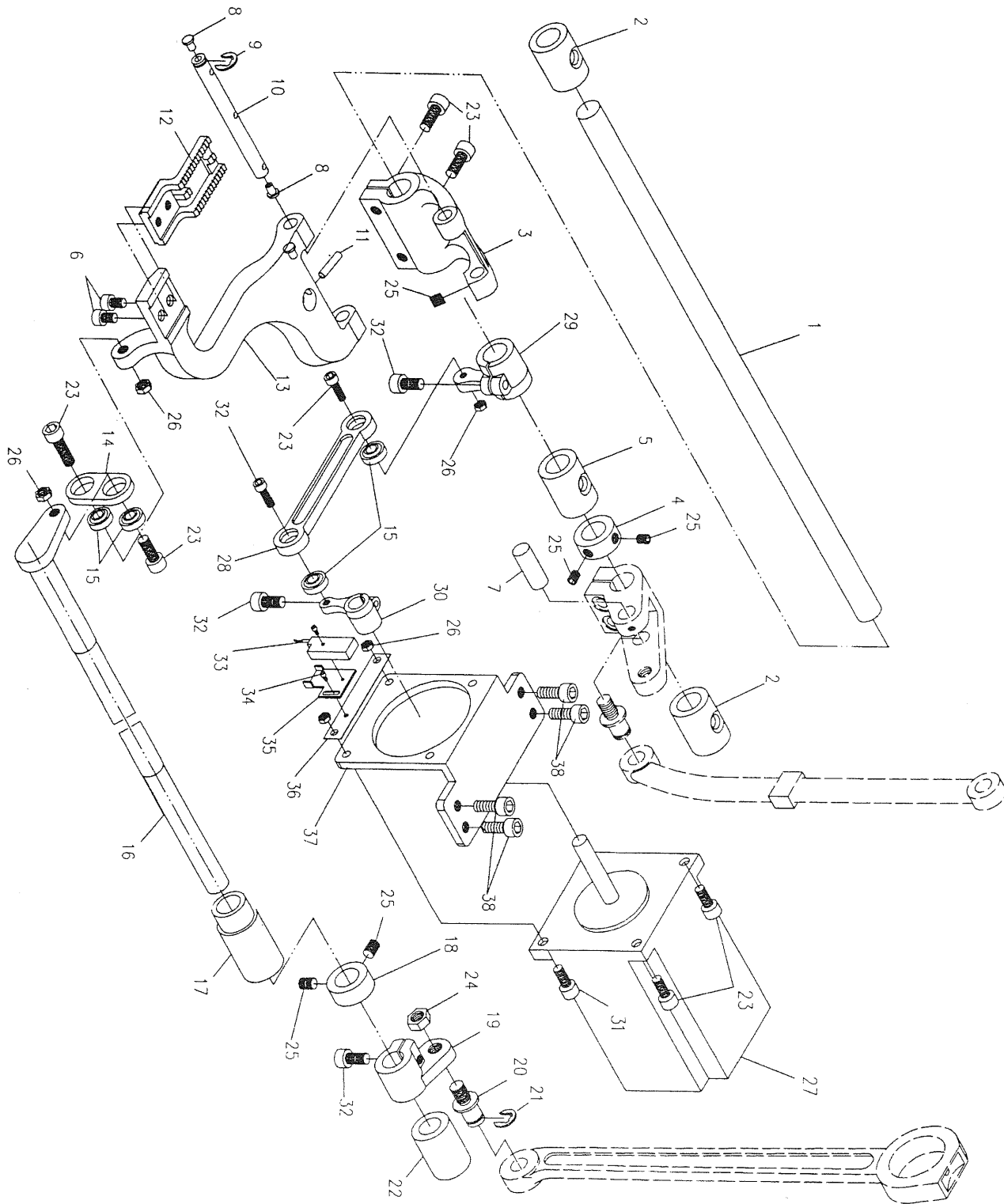




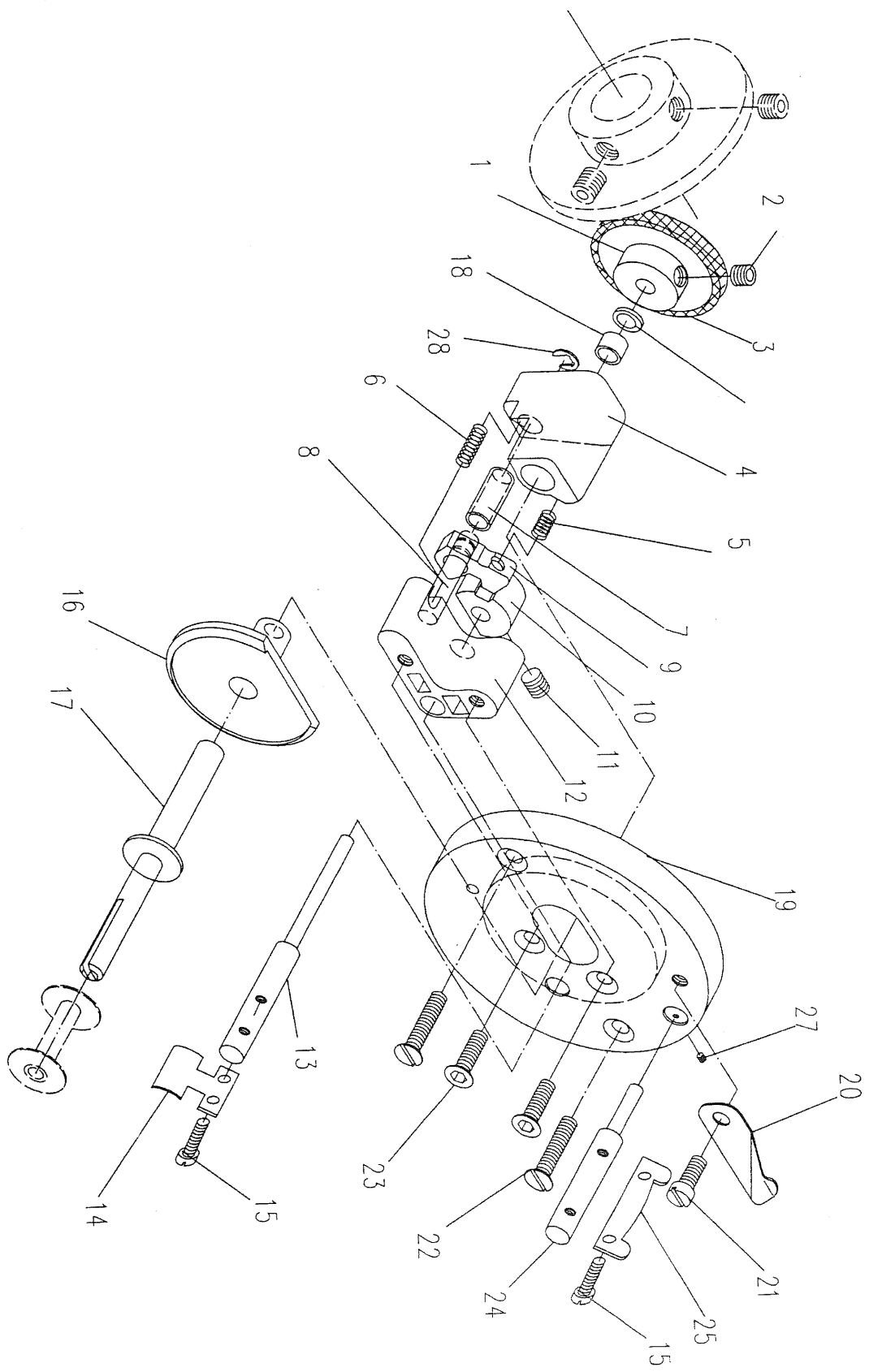
序号	零件件号	零件名称	Decription	件数	备 注
1	F0401	梭床盖	Bobbin bed cover	1	
2	GN116	梭心	Bobbin	1	
3	GN111/9	摆梭	Shuttle hook	1	
4	M0405	摆梭托	Swinging shuttle support	1	
5	M0406	摆梭托限位垫片	Washer	3	厚:0.2、0.3、0.5选配
6	M0407	限位螺钉垫片	Washer	1	
7	M0408	梭床螺钉	Screw	2	
8	F0408	梭床	Bobbin bed	1	
9	M0410	梭床定位套	Shuttle set	1	
10	M0412	摆梭托轴前轴套	Front shaft bushing	1	
11	M0413	摆梭托轴	Shaft	1	
12	M0414	螺旋伞齿轮(右旋)	Right helix bevel gear	1	
13	M0415	伞齿轮锥销	Pin	1	
14	GX110	压紧架转轴螺钉	Screw	2	
15	F0415	护针档片	Needle protecting board	1	
16	M0419	摆梭托轴后轴套	Back shaft bushing	1	
17	N0420	摆梭托轴后大垫	Washer	1	
18	M0421	摆梭托轴后定位大套	Bushing	1	
19	M0423	摆梭托轴螺母	Nut	1	
20	M0424	梭床座箱体左侧盖	Side plate	1	
21	GX108	压紧架轴位销钉	Pin	1	
22	GK241	梭床压紧架	Bobbin bed press stand	1	
23	GX109	压紧架轴位螺钉	Screw	1	
24	GX112	扳手转轴螺钉	Screw	2	
25	GW111	压盖簧	Ring-pressing spring	1	
26	GX117	压盖簧螺钉	Screw	1	
27	GK243	压紧架扳手	Press stang spanner	1	
28	GX113	扳手轴位螺钉	Screw	1	
29	M0437	梭床座箱体底板	Cover	1	
30	GS13210	底盖板螺钉	Screw	8	
31	GL203	扳手轴位螺母	Nut	1	
32	GS102	压紧架紧定螺钉	Screw	1	
33	GS11406	伞齿轮紧固螺钉	Screw	1	
34	GS11306	梭床紧固螺钉	Screw	2	
35	GS13216	定位大套螺钉	Screw	3	
36	GS12104	护针板螺钉	Screw	2	
37	GS13460	梭托限位螺钉	Screw	1	
38					
39					
40					
41					
42					
43					
44					



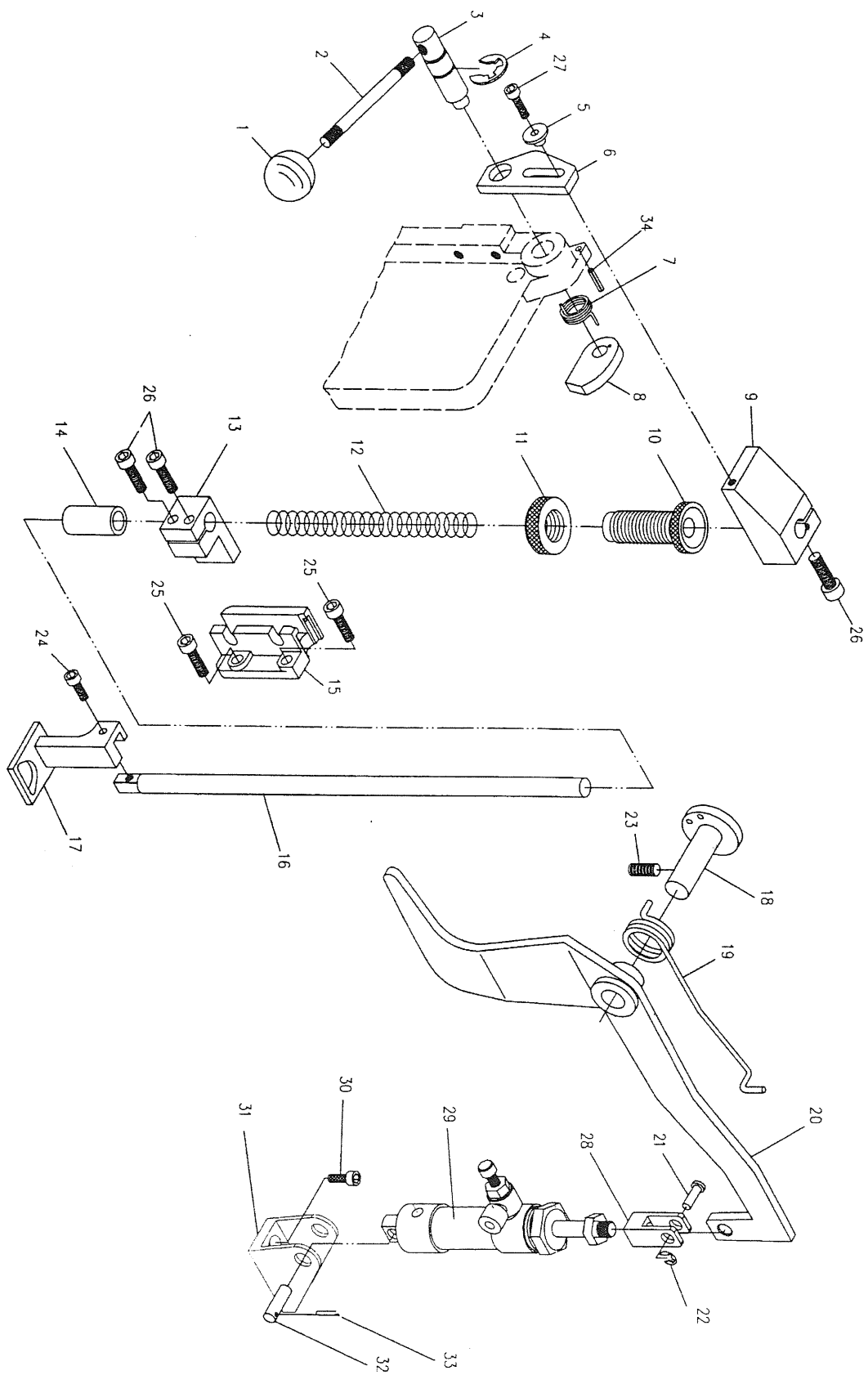
序号	零件件号	零件名称	Decription	件数	备 注
1	M0501	螺旋伞齿轮 (左旋)	Left helix bevel gear	1	
2	M0504	下轴 II 前轴套	Front shaft bushing	1	
3	M0505	下轴 II 后轴套	Back shaft bushing	1	
4	M0506	下轴 II 挡圈	Biocking ring of lower shaft	2	
5	M0508	下轴 II	Lower shaft II	1	
6	M0509	下轴紧圈	Tight ring of lower shaft	1	
7	M0512	下轴 I 挡圈	Biocking ring of lower shaft	1	
8	M0513	下轴 I 后轴套	Back shaft bushing	1	
9	GZ112	下轴 I	Lower shaft I	1	
10	GP107	下轴小齿轮	Small gear of lower shaft	1	
11	G0130	小摆轴轴套	Bushing	1	
12	G0132	小摆轴架小套	Bushing	2	
13	M0522	下摆轴	Swinging shaft	1	
14	GZ128	大连杆销轴	Shaft	1	
15	M0524	摆轴架	Pendulum axle stand	1	
16	GP106	扇形齿轮	Pendulum axle fan-shaped gear	1	
17	M0519	扇形齿轮螺钉垫圈	Washer	3	
18	M0415	小齿轮锥销	Pin	2	
19	GS13318	扇形齿轮紧固螺钉	Screw	3	
20	GS10414	下摆轴轴套螺钉	Screw	2	
21	GS11406	下轴 I 挡圈螺钉	Screw	3	
22	GS13416	下轴紧圈螺钉	Screw	2	
23	GS11306	下轴 II 挡圈螺钉	Screw	4	
24					
25					
26					
27					
28					
29					
30					
31					
32					
33					
34					
35					
36					
37					
38					
39					
40					
41					
42					
43					
44					



序号	零件件号	零件名称	Decription	件数	备 注
1	M0601	下送料轴	Bottom feeding shaft	1	
2	M0602	下送料轴后轴套	Back bushing of feeding shaft	2	
3	M0604	下送料前曲柄	Front feeding cronk	1	
4	M0605	下送料轴挡圈	Blocking ring of feeding axle	1	
5	M0607	下送料轴前轴套	Front bushing of feeding shaft	1	
6	GS13308	送料牙螺钉	Screw	1	
7	GZ128	送料后曲柄销轴	Pin shaft	1	
8	M0614	牙架轴油堵	Small oil seal	1	
9	M0615	牙架轴卡簧	E-shaped snap spring	1	
10	M0616	牙架轴	Shaft of tooth-shelf	1	
11	M0617	过油管	Oil pipe joint	1	
12	H0612	送料牙	Feed dog	1	
13	M0621	牙架	Shelf	1	
14	M0624	拾牙连接板	Connection board	1	
15	M0623	连接板球轴承	Bearing	4	
16	M0627	拾牙轴	Tooth-lifting axle	1	
17	M0626	拾牙轴前轴套	Front shaft bushing	1	
18	M0605	拾牙轴挡圈	Lifting tooth axle retaining ring	1	
19	M0628	拾牙后曲柄	Crank	1	
20	M0631	拾牙连杆销轴	Pin shaft	1	
21	M0632	拾牙连杆销轴卡簧	E-shaped snap spring	1	
22	M0625	拾牙轴后轴套	Back shaft bushing	3	
23	GS13416	拾牙后曲柄紧固螺钉	Screw	8	内六方圆柱头螺钉M6-16
24	M0630	螺母	Nut	1	
25	GS11406	挡圈螺钉	Screw	2	
26	M0620	螺母	Nut	4	
27	105A0627	送料电机	Eletromotor	1	
28	105A0628	送料连杆	Connecting rod	1	
29	105A0629	送料曲柄	Feeding cronk	1	
30	105A0630	送料电机曲柄	Eletromotor feeding cronk	1	
31	105A0631	电机安装长螺钉	Screw	2	内六方圆柱头螺钉6-25
32	105A0632	曲柄紧固螺钉	Screw	3	内六方圆柱头螺钉M6-12
33	1070243	传感器	Sensor	1	
34	105A0634	传感器螺钉	Screw	2	内六方圆柱头螺钉M3-4
35	1070242	感应器固定架		1	
36	105A0636	感应器支板		1	
37	105A0637	送料电机座	Eletromotor support	1	
38	105A0638	电机座螺钉	Screw	4	内六方圆柱头螺钉6-20
39					
40					
41					
42					
43					
44					

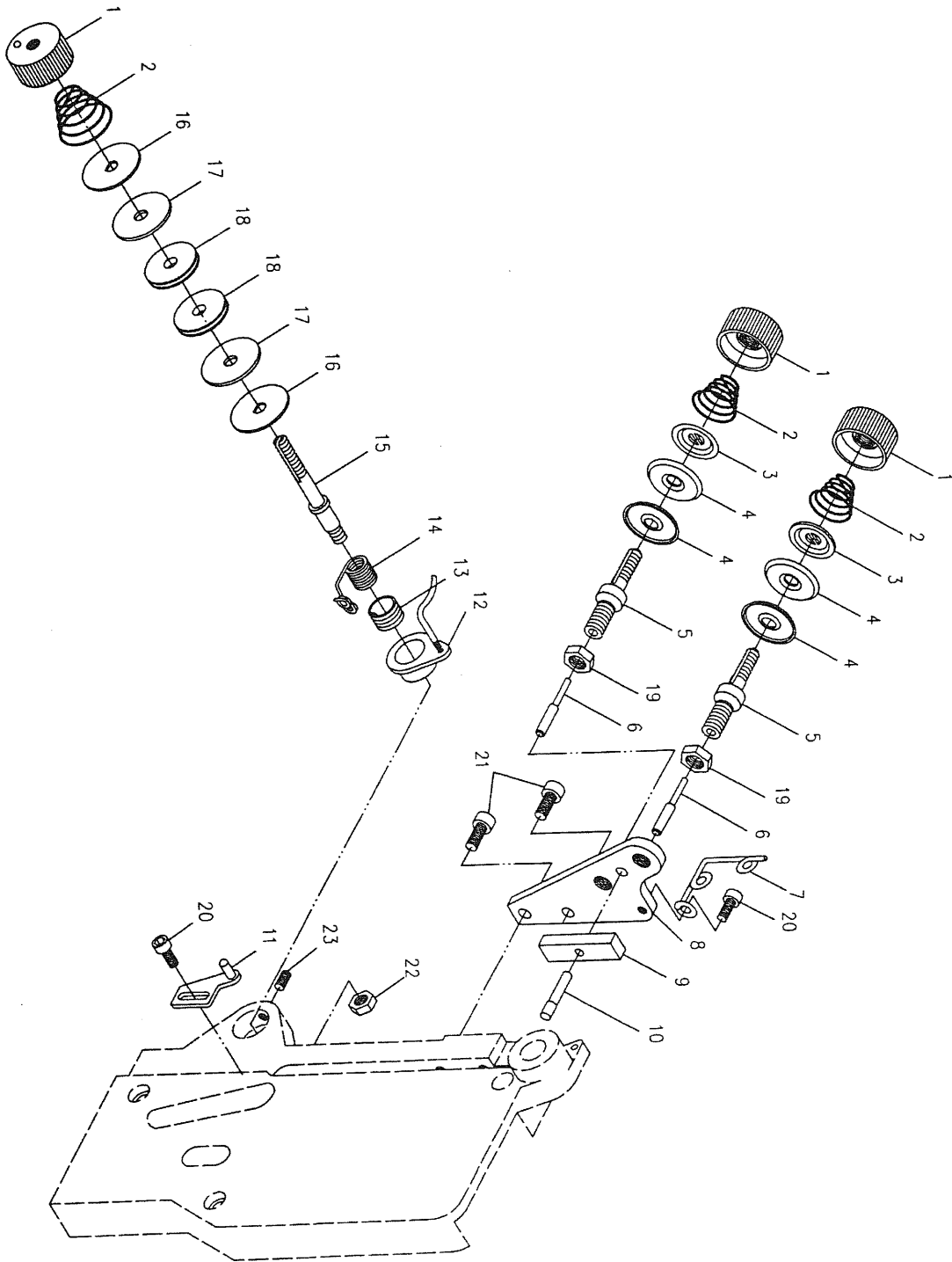


序号	零件件号	零件名称	Decription	件数	备 注
1	EL0918	被动摩擦轮胶圈	Rubber ring	1	
2	GS11306	被动摩擦轮紧定螺钉	Screw	1	
3	EL0920	被动摩擦轮	Driven friction wheel	1	
4	EL0921	绕线压力板座	Thread coiling presser plate seat	1	
5	EL0922	压力弹簧 2	Presser spring 2	1	
6	EL0923	压力弹簧 1	Presser spring 1	1	
7	EL0925	压力板小套	Presser plate small bushing	1	
8	EL0924	压力板芯轴	Presser plate shaft	1	
9	EL0926	绕线压力板	Thread coiling presser plate	1	
10	EL0927	绕线控制板	Thread coiling controller plate	1	
11	GS11305	绕线控制板顶丝	Screw	1	
12	EL0929	绕线控制板座	Thread coiling controller plate seat	1	
13	1070913	满线跳板轴	Full reel springboard shaft	1	
14	1070914	满线跳板	Full reel springboard	1	
15	GS13112	满线跳板调整螺钉	Regulate screw	4	
16	EL0933	压力板座底盘	Presser plate base dial	1	
17	1070917	梭心轴	Bobbin shaft	1	
18	EL0941	绕线压力板座套	Thread coiling presser plate washer	1	
19	EL0936	绕线器接盘	Bobbin winder connecting dial	1	
20	EL0937	小剪刀	Small scissors	1	
21	GS13208	小剪刀紧固螺钉	Screw	2	
22	GS17212	绕线器接盘螺钉	Screw	2	
23	GS16210	绕线器接盘螺钉	Screw	2	
24	1070924	排线板轴	Shaft	1	
25	1070925	排线板	Plate	2	
26	D-05	摩擦轮平垫	Washing	2	
27	GS11105	排线轴紧定螺钉	Screw	2	
28	E-04	开口挡圈	E-type	1	
29					
30					
31					
32					
33					
34					
35					
36					
37					
38					
39					
40					
41					
42					
43					
44					

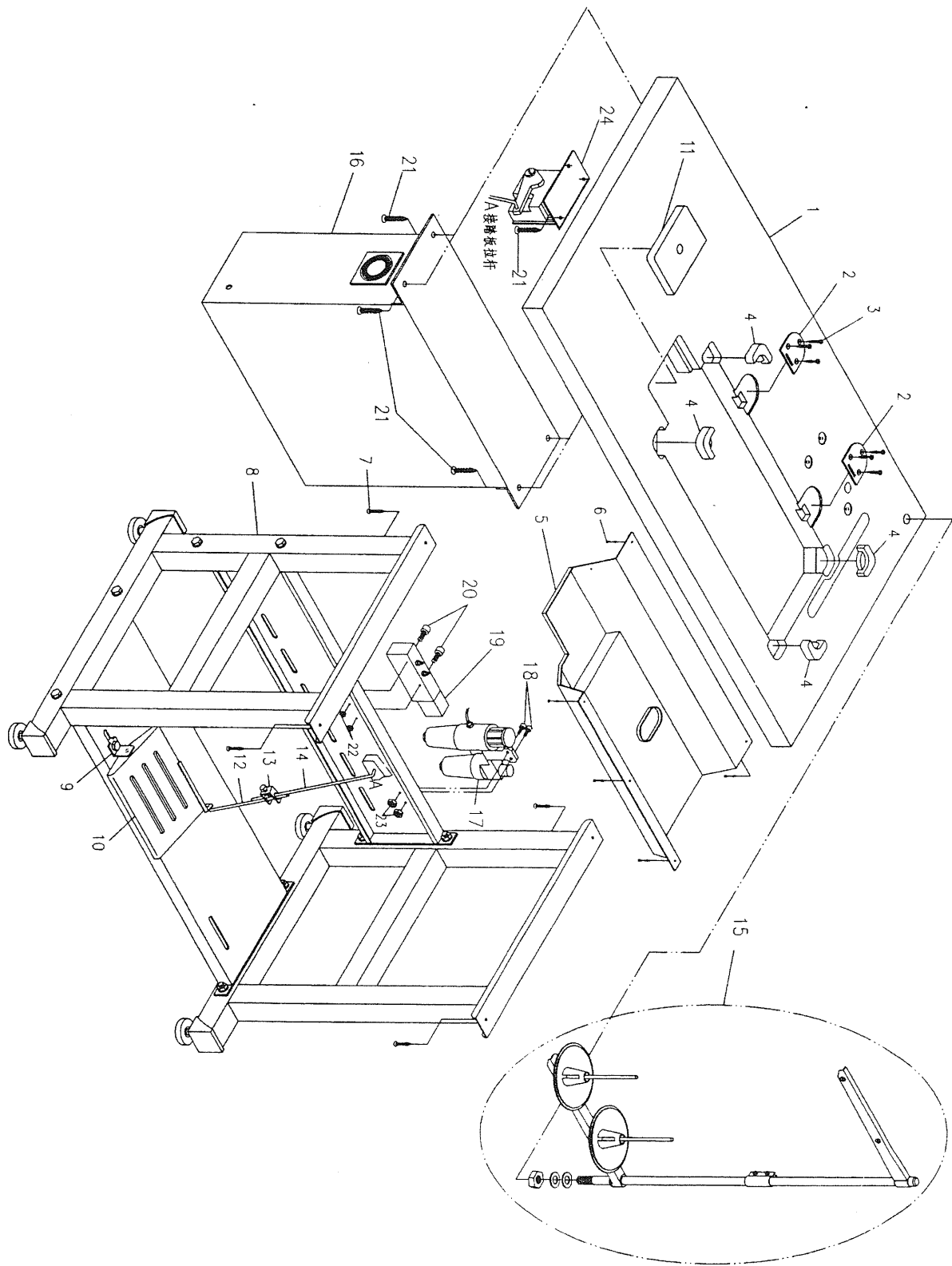




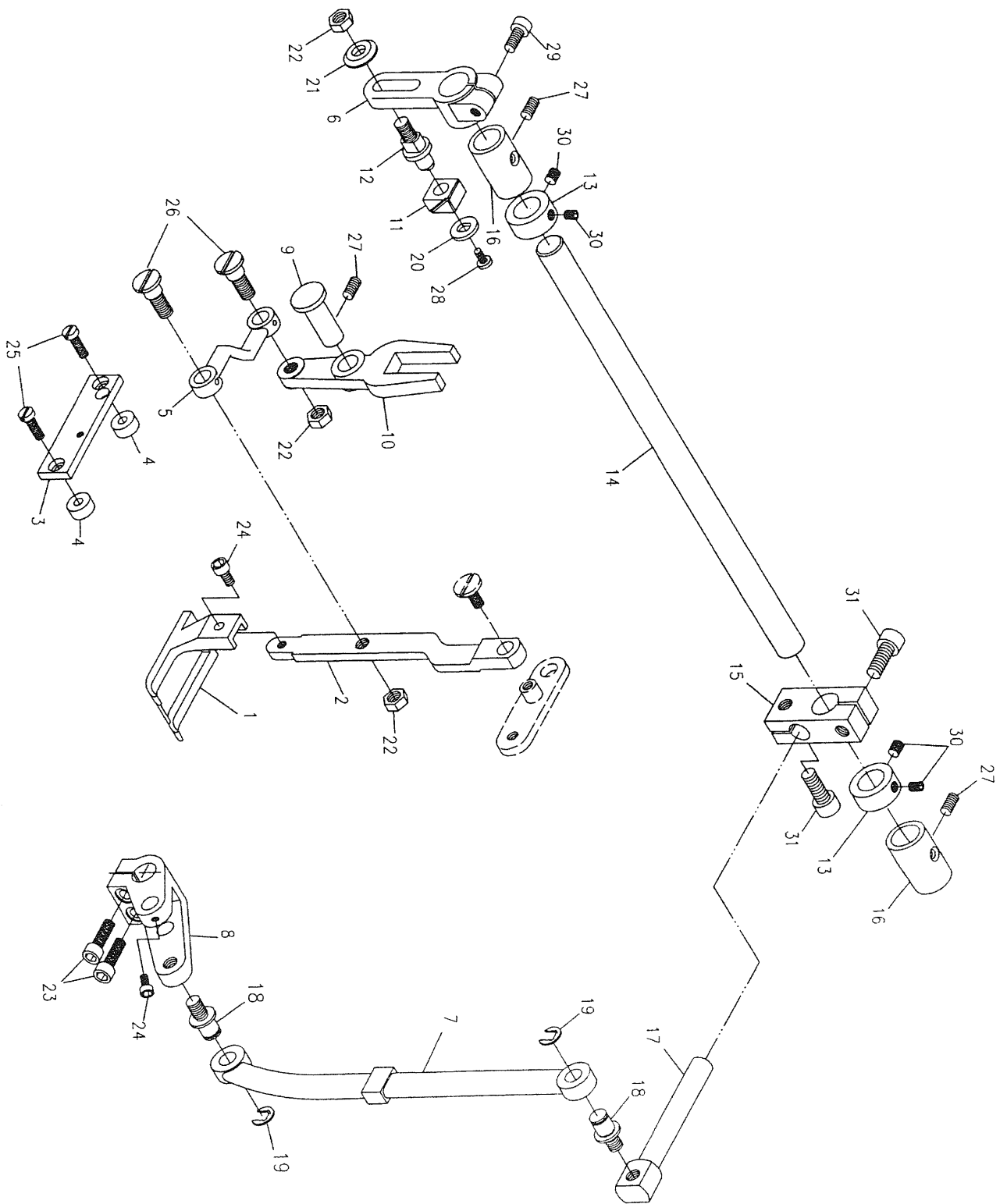
序号	零件件号	零件名称	Decription	件数	备 注
1	GZS139	抬压脚手柄球	Uplifting presser handle ball	1	
2	GZ138	提升手柄杆	Uplifting handle bar	1	
3	M0805	抬压脚手柄轴	Shaft	1	
4	GW211	抬压脚手柄轴卡簧	Uplifting handle axle jump ring	1	
5	M0804	松线板连接套	Thread loosing	1	
6	M0803	松线板 2	Thread releasing plate (2)	1	
7	GW217	提升压脚簧	Uplifting presser spring	1	
8	M0802	抬压脚偏心片	Eccentric slice	1	
9	M0312	抬压脚顶块	Block	1	
10	GZ125	调压螺钉	Pressure regulated screw	1	
11	M0314	调压锁紧螺母	Nut	1	
12	GW201	压杆大簧	Spring presser bar spring	1	
13	M0310	压杆定位块	Setting block of pressing rod	1	
14	M0307	压杆下衬套	Pressing rod lower bushing	1	
15	GK226	压杆升降定位滑道	Presser lifting locating slideway	1	
16	M0309	压杆	Presser bar	1	
17	105A0817	内压脚	Presser foot	1	
18	GE141	提升压脚杠杆轴	Uplifting presser lever shaft	1	
19	GW212	杠杆扭簧	Lever torsional sloring	1	
20	GK264	提升压脚杠杆	Uplifting presser lever	1	
21	105A0821	抬压脚气缸接头销	Lpen	1	
22	105A0822	卡簧Φ4	Upliting handle axle jump ring	1	
23	GS11410	杠杆轴紧固螺钉	Screw	1	
24	GS13210	压脚螺钉	Screw	1	
25	GS13325	滑道螺钉	Screw	2	
26	GS13320	定位块紧固螺钉	Screw	2	
27	GS13216	杠杆轴紧固螺钉	Screw	1	
28	105A0828	抬压脚气缸接头		1	
29	105A0829	抬压脚气缸		1	
30	105A0830	小支架螺钉		2	内六方圆柱头M6-10
31	105A0831	小支架		1	
32	105A0832	圆柱销		1	
33	105A0833	开口销Φ1.5		1	
34	105A0834	提升手柄轴开口销		1	
35					
36					
37					
38					
39					
40					
41					
42					
43					
44					



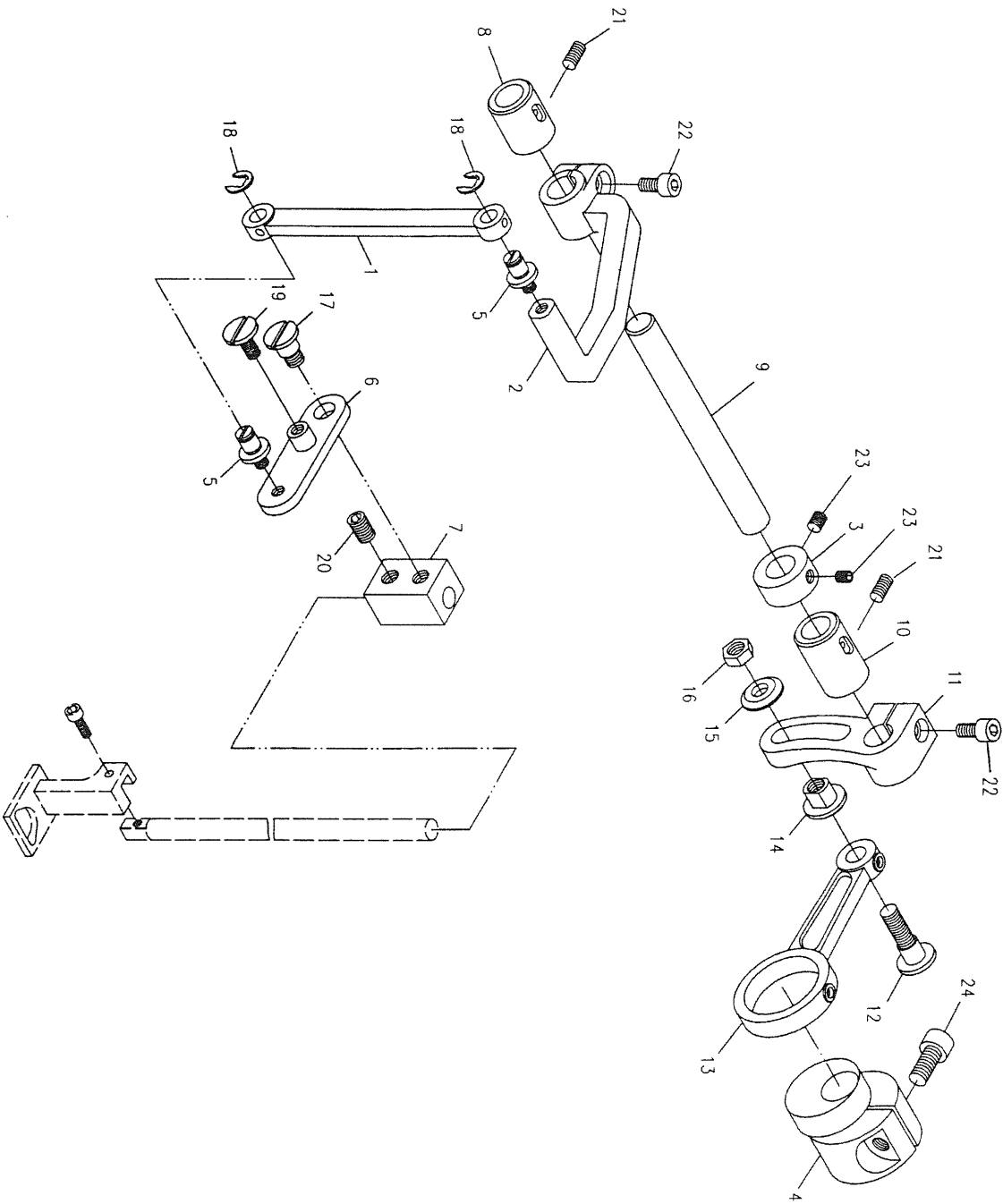
序号	零件件号	零件名称	Decription	件数	备 注
1	GLS204	夹线螺母	Tension nut	3	
2	GW115	夹线簧	Spring	3	
3	GK232	松线板	Thread releasing plate	2	
4	GK123	夹线板	Tension plate	4	
5	GZ126	夹线螺钉	Screw tension	2	
6	GX106	松线钉	Loosen bolt	2	
7	M0408	过线圈	Thread passing ring	1	
8	M0910	夹线架	Thread tension rack	1	
9	M0911	松线板 1	Thread releasing plate	1	
10	M0912	松线板销	Pin	1	
11	GKS108	拨簧支架	Drawing soring stand	1	
12	GKS107	过线器座	Thread passing sead	1	
13	GC0814	挑线扭簧	Thread take-up soring	1	
14	GC0818	挑线簧 1	Thread take-up spring	1	
15	M0925	过线螺钉	Screw tension	1	
16	GK233	过线板	Thread passing plate	2	
17	GK234	过线轮毡圈	Washer	2	
18	GP102	过线轮	Thread passing wheel	2	
19	GL205	锁紧螺母	Nut	2	
20	GS13208	拨簧支架螺钉	Screw	2	
21	GS13316	松线架螺钉	Screw	2	
22	M0913	过线螺钉锁母	Nut	1	
23	GS11206	过线器座固定螺钉	Screw	1	
24					
25					
26					
27					
28					
29					
30					
31					
32					
33					
34					
35					
36					
37					
38					
39					
40					
41					
42					
43					
44					



序号	零件件号	零件名称	Decription	件数	备 注
1	CKR221	台板	Table	1	
2	CKR200	合页 1	Hinge	2	
3	GC1005	合页螺钉	Screw	6	
4	GC1004	机头胶垫	Rupper cushion	4	
5	GKR216	接油盘	Oil pan	1	
6	GBS112	接油盘紧固螺钉	Screw	6	
7	GC1021	机架台板紧固螺钉	Screw	4	
8	M1010	机架	Stand	1	
9	GKR184	踏板轴座	Footstep axle seat	4	
10	GKR182	大踏板	Pedal	1	
11	105A1011	活板	Pedal	1	
12	GKR116	电机离合下拉杆	Lower rod of clutch motor	1	
13	GKR183	拉杆调节器	Rod adjusting device	1	
14	GKR118	电机离合上拉杆	Upper rod of clutch motor	1	
15	M1014	线架	Thread stand	1	
16	105A1016	电控箱	Electron control	1	
17	105A1017	空气油雾滤清器	Air-oil filter	1	
18	GS13312	滤清器螺钉	Screw	2	
19	105A1019	电磁阀	Electromagnetisi valve	1	
20	GS13280	电磁阀螺钉	Screw	2	
21	105A1021	电控箱自攻螺钉	Screw	4	
22	GL204	电磁阀安装螺母	Nut	2	
23	105A1023	滤清器安装螺母	Nut	2	
24	105A1024	踏板开关	Footstep switch	1套	
25					
26					
27					
28					
29					
30					
31					
32					
33					
34					
35					
36					
37					
38					
39					
40					
41					
42					
43					
44					



序号	零件件号	零件名称	Decription	件数	备 注
1	105A1101	摆压脚	ABC	1	
2	SF1202	摆压脚杆	ABC	1	
3	SF1203	摆压脚导板	ABC	1	
4	SF1204	摆压脚导板垫	ABC	2	
5	SF1205	摆压脚小连杆	ABC	1	
6	SF1206	摆压脚前曲柄	Front crank	1	
7	SF1207	上送料大连杆	Connecting rod	1	
8	SF1208	送料后曲柄	Back feeding cronk	1	
9	GX123	摆压脚叉形杆销	Pin	1	
10	GH148	摆压脚叉形杆	Fork-rod of swinging pressing foot	1	
11	GU119	摆压脚滑块	Crakn slide block	1	
12	GU120	摆压脚滑块螺柱	Screw of slide block of pre ssing foot	1	
13	GK255	上送料轴挡圈	Upper feeding axle retainer axle	2	
14	GZ120	上送料轴	Upper feeding axle	1	
15	GH152	上送料后曲柄座	Upper feeding back crank seat	1	
16	GO124	上送料轴后轴套	Upper feeding axle back axle sleeve	2	
17	GK254	上送料调整杆	Upper feeding adjustment bar	1	
18	GZ133	上送料连接销	Upper feeding connecting pin	1	
19	GW205	上送料链接销卡簧	Puuer feeding connecting pin jump ring	2	
20	GU110	滑块垫圈	Washer	1	
21	GR245	轴位螺钉垫圈	Washer	1	
22	GL106	锁紧螺母	Nut	1	
23	GS13420	送料后曲柄螺钉	Screw	2	
24	GS13312	摆压脚螺钉	Screw	1	
25	GS13318	摆压脚导板螺钉	Screw	2	
26	GS180	叉形杆连接螺钉	Screw	2	
27	GS11410	叉形杆销紧固螺钉	Screw	3	
28	GS212	滑块紧固螺钉	Screw	2	
29	GS13416	摆压脚前曲柄螺钉	Screw	1	
30	GS11406	挡圈螺钉	Screw	4	
31	GS13520	后曲柄座螺钉	Screw	2	
32					
33					
34					
35					
36					
37					
38					
39					
40					
41					
42					
43					
44					





序号	零件件号	零件名称	Decription	件数	备注
1	105A1201	摆压脚升降连杆	Large connecting rod	1	105A专用
2	105A1202	摆压脚升降前曲柄	Pressing foot front crank	1	105A专用
3	SF1303	压脚升降轴挡圈	Biocking ring	1	
4	105A1204	压脚升降偏心轮	Presser foot lift cam	1	105A专用
5	SF1305	摆压脚升降连杆螺钉	Screw	2	
6	SF1306	抬压脚摇板	Pressing foot lifting rocking board	1	
7	SF1307	压杆升降滑块	Sliding block	1	
8	GO127	压脚升降轴前轴套	Pressing foot lifting shaft front sleeve	1	
9	GZ122	压脚升降轴	Pressing foot lift shaft	1	
10	GO126	压脚升降轴后轴套	Pressing foot lifting shaft back sleeve	1	
11	GH146	压脚升降调整后曲柄	Pressing foot lifting adjusting back crank	1	
12	GS150	轴位螺钉	Screw	1	
13	GD0606	压脚升降偏心轮连杆	Arge pressing foot lifting connecting rod	1	
14	GL108	调整螺母	Nut	1	
15	GR245	轴位螺钉垫圈	Washer	1	
16	GL106	锁紧螺母	Nut	1	
17	GS181	定位块摇板螺钉	Screw	1	
18	GW206	开口挡圈	E-type	2	
19	GS153	摆压脚支点螺钉	Screw	1	
20	GS10508	压杆升降滑块定位螺钉	Screw	1	
21	GS11410	压脚升降轴前后轴套螺钉	Screw	2	
22	GS13416	压脚升降曲柄螺钉	Screw	2	
23	GS11406	升降轴挡圈螺钉	Screw	2	
24	GS13520	偏心轮螺钉	Screw	1	
25					
26					
27					
28					
29					
30					
31					
32					
33					
34					
35					
36					
37					
38					
39					
40					
41					
42					
43					
44					



