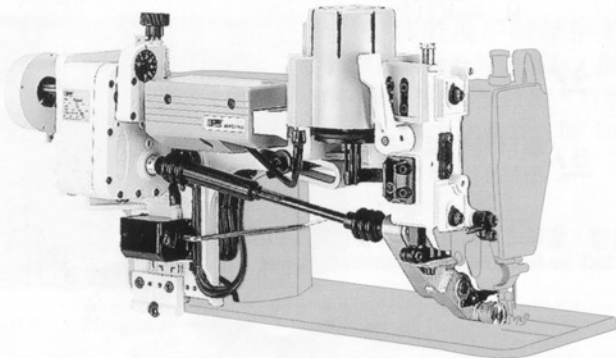
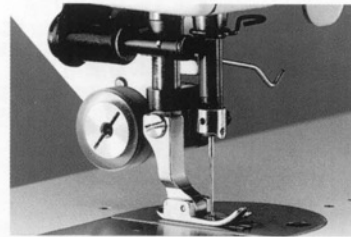


RACING PULLERS

PS FOR SINGLE OR TWIN NEEDLE (REGULAR) SMALL ROLLER

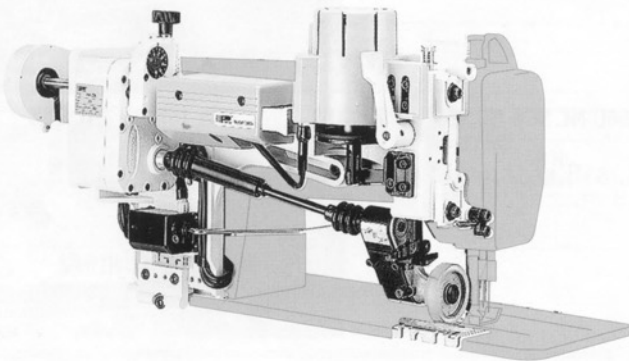


● Disengage roller if not needed



● Extremely close pulling facilitates curve and short sewing on thin materials.

PL FOR SINGLE OR TWIN NEEDLE (REGULAR)

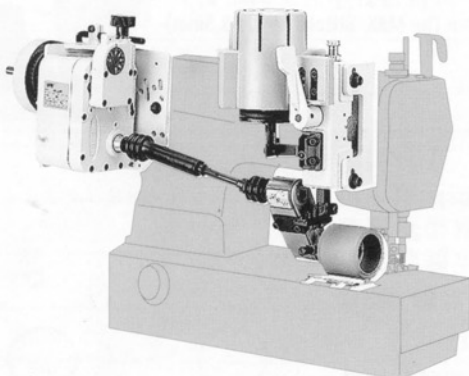


● With Large Space for Operation

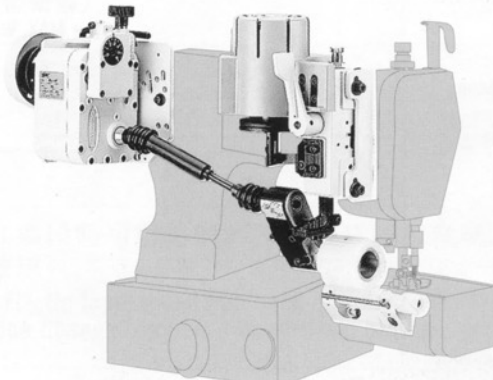


● With various optional rollers for different kinds of sewn materials.

PL-S1 FOR FLAT BED COVERSTITCH

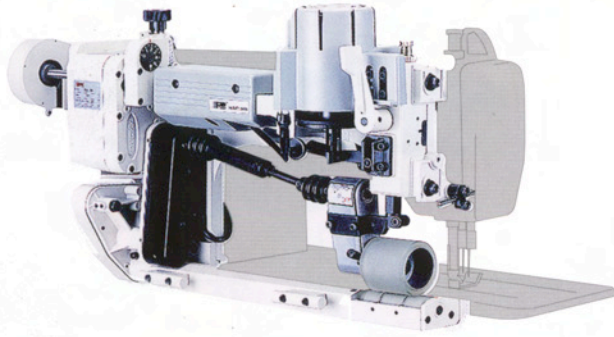


PL-S2 FOR CYLINDER BED COVERSTITCH

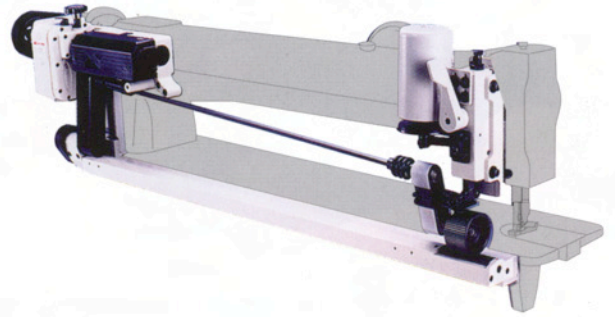


PT FOR SINGLE OR TWIN NEEDLE WITH UPPER AND LOWER ROLLER(REGULAR)

PT-H FOR SINGLE OR TWIN NEEDLE WITH UPPER AND LOWER ROLLER(HEAVY DUTY)
(Transmission P-1)

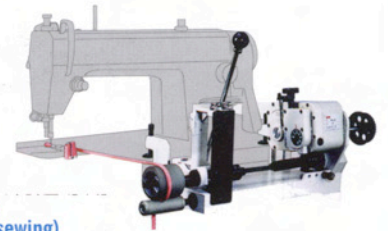
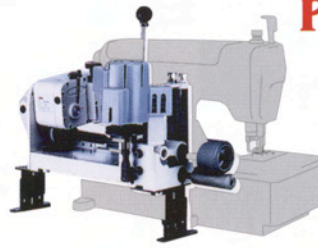
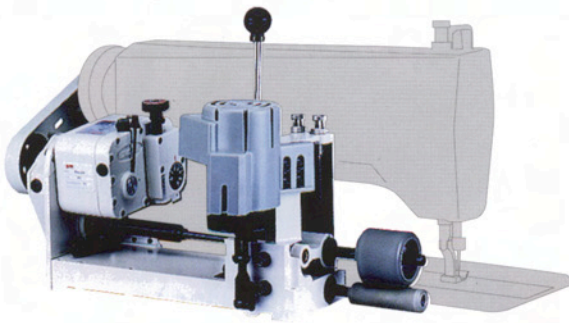


PT-L FOR LONG ARM, AVAILABLE FOR CUSTOM-MADE



PY FOR SINGLE OR TWIN NEEDLE WITH UPPER AND LOWER ROLLER

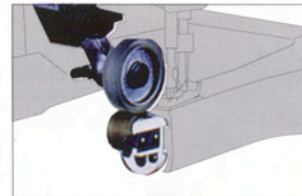
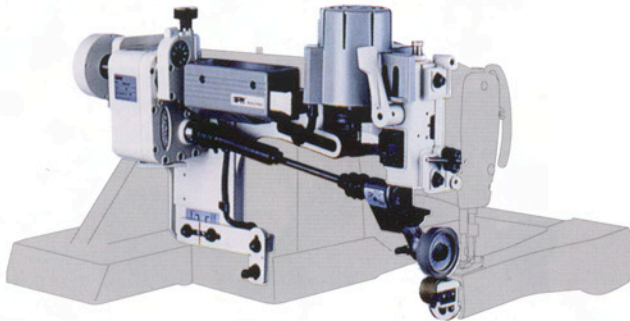
PY-C FOR COVERSTITCH



PY-SP FRONT PULLER
(For spaghetti sewing)

PF FOR FEED-OFF-ARM (REGULAR)

PF-H 腕型車用(厚物型)(變速機P-1)
FOR FEED-OFF-ARM(HEAVY DUTY)(Transmission P-1)



● With lower roller

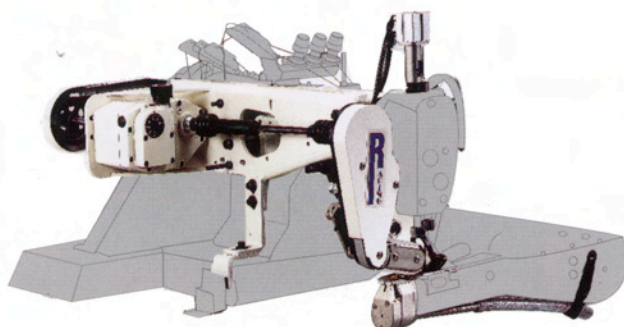
● With various optional rollers for different kinds of sewn materials.

PF-HB/ECV/AF

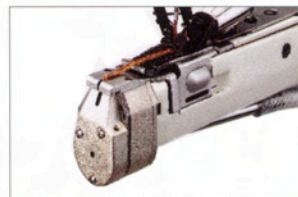
BELT PULLER FOR HEAVY TO EXTREMELY HEAVY DUTY MATERIAL.

PF-RB/EFV/AF

BELT PULLER FOR REGULAR FABRIC.



ECV — Electronic chain cutter for Feed-Off-the-Arm



EFV for 4 NEEDLE/6 THREAD Feed-Off-the-Arm



AF Pneumatic pressure foot (for Feed-Off-the-Arm)

