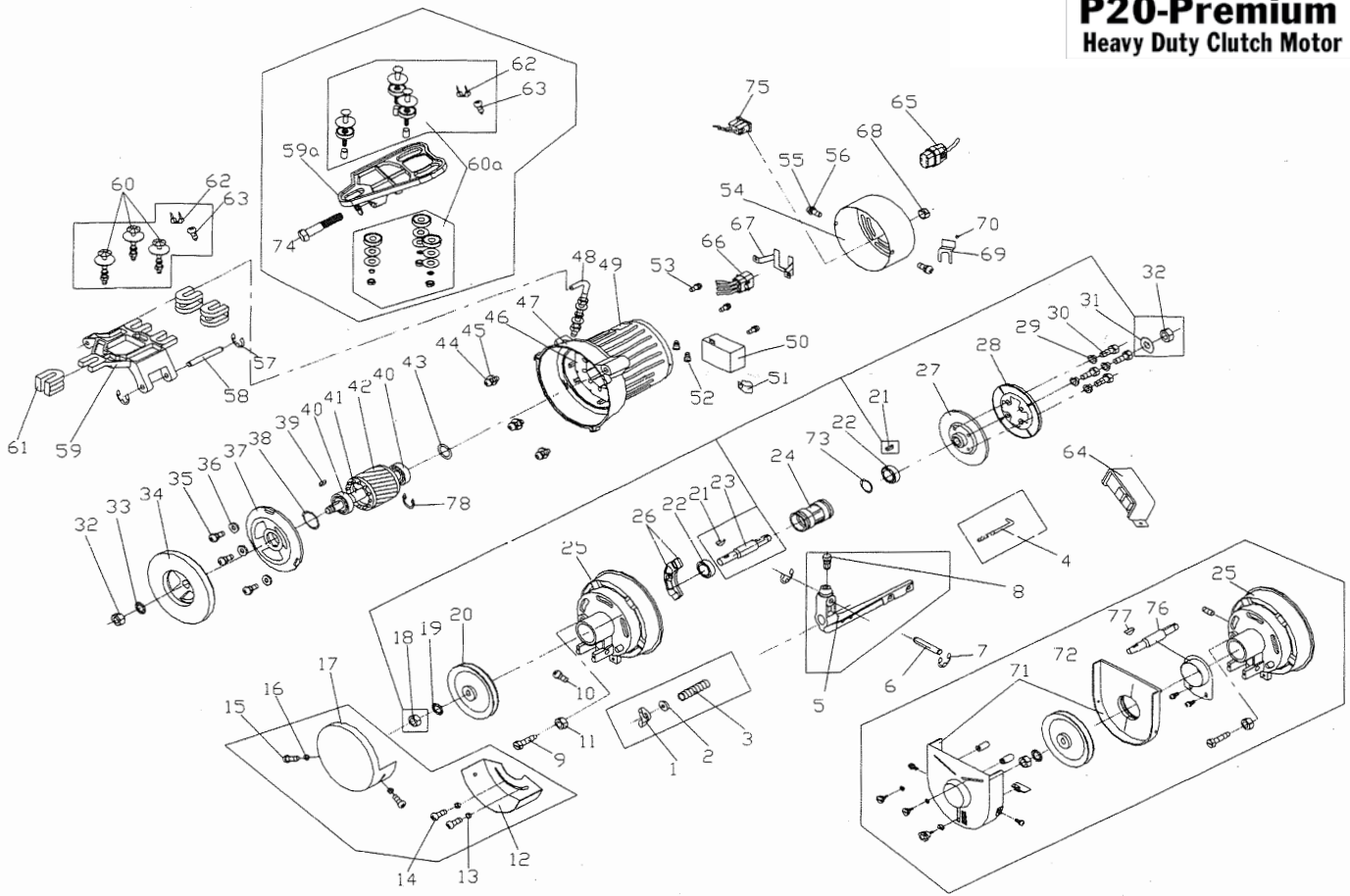


Clutch Motor Part List



No.	Description	Qty	No.	Description	Qty	No.	Description	Qty
1	Wing nut M6	1	28	Clutch lining	1	55	Screw	1
2	Lock washer	1	29	Spring washer	4	56	Washer	1
3	Lever spring	1	30	Screw	4	57	E-shaped lock rings (#1) (#6)	2
4	Spring adjusting rod	1	31	Copper washer	1	58	Pin (#1) (#6)	1
5	Lever	1	32	Nut	2	59	Side base (#1) (#6)	1
6	Lever pin	1	33	External washer	1	59a	Side base (#5)	1
7	E-shaped lock ring	2	34	Fly wheel	1	60	Mounting bolts (#1) (#6)	3
8	Ball joint	1	35	Screw with washer	3	60a	Mounting bolts (#5)	3
9	Hexagon screw	1	36	Washer	3	61	Rubber cushion (#1) (#6)	3
10	screw	1	37	Intermediate bracket	1	62	U-Thumb pin	5
11	Nut	1	38	Preload spring	1	63	Screw	2
12	Full belt guard (inner)	1	39	Key 5x5x16	1	64	Switch box with Cable	1
13	Plane Washer	2	39	Key 5x5x10 (#6)	1	65	Reverse plug (#3)	1
14	Screw with washer	2	40	Bearing #6203	2	66	Reverse socket (#3)	1
15	Screw with washer	1	41	Rotor shaft	1	67	Reverse fixture (#3)	1
16	Washer	1	42	Rotor	1	68	Rubber Seal	1
17	Full belt guard(outer)	1	43	Cushion plate	1	69	Cable fixture (#3)	1
18	Nut	1	44	Screw with washer(45)	3	70	Rubber Seal (#3)	1
19	Spring washer	1	45	Stator	1	71	Full belt guard (#2)	1
20	Pulley	1	47	Motor housing	1	72	Full belt guard(inner) bush (#2)	1
21	Key 5x5x16	2	48	Adjustment blots	1	73	Cushion plate	1
22	Bearing #6202	2	49	Name plate	1	74	Screw (#5)	1
23	Clutch shaft	1	50	Capacitor	1	75	Voltage Convertor (#4)	1
24	Bearing pipe	1	51	Capacitor saddle	1	76	Taper shaft	1
25	Front cover	1	52	Wire connector	2	77	Key 4x5xR6.5	1
26	Brake shoe	1	53	Screw with Spring washer	4	78	E-shaped lock rings (#6)	1
27	Clutch wheel	1	54	End cover	1			

#1 for standard type.

#2 for CE Marking.

#3 for Reverse .

#4 for 110/220V or 220/380V.

#5 for Italy & Holland.

#6 for ES standard type.